

V-SERIES™ Standard & Leading-Edge SRLs



Technical Data Sheet

V-TEC™ Standard SRL

| | |
|------------------------------------|--|
| CAPACITY | |
| ANSI Z359.14 CLASS B | 130–310 lb. (59–140 kg) |
| CSA Z259.2.2 TYPE 2 | 130–310 lb. (59–140 kg) |
| OSHA | 400 lb. (180 kg) |
| BRAND | MSA |
| MODEL NAME | V-TEC |
| LENGTHS | 20 ft. (6 m) 30 ft. (10 m) 50 ft. (15 m) |
| CONNECTOR OPTIONS | Steel swivel snaphook or aluminum swivel triple-lock carabiner |
| HOUSING MATERIAL | Clear polycarbonate |
| HARDWARE MATERIALS | Steel, stainless steel, aluminum |
| LIFELINE MATERIALS | $\frac{3}{16}$ " (5 mm) galvanized steel cable or $\frac{3}{16}$ " (5 mm) stainless steel cable |
| ENERGY-ABSORBING TECHNOLOGY | Patented tolerance ring energy absorber |
| ARREST FORCES | |
| PEAK | 1,800 lb. (8 kN) |
| AVERAGE | 900 lb. (4 kN) |
| KEY FEATURES | Retraction brake Stowable carry handle Clear inspectable housing |
| PRODUCT STYLES | Standard SRL |
| PRODUCT TYPES | Construction OGP General industry |
| STANDARES | ANSI Z359.14 Class B CSA Z259.2.2 EN360:2002 OSHA |



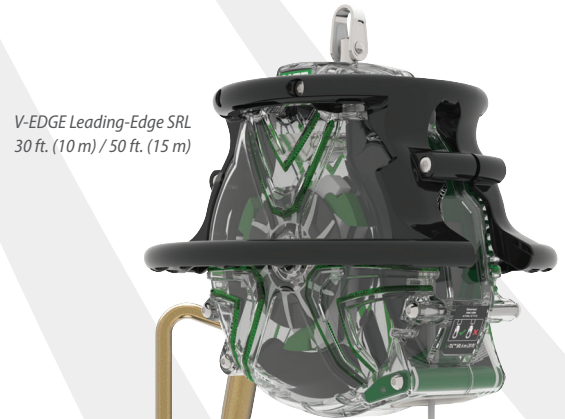
V-TEC Standard SRL
30 ft. (10 m) / 50 ft. (15 m)

V-TEC Standard SRL
20 ft. (6 m)

WE KNOW WHAT'S AT STAKE.

V-EDGE™ Leading-Edge SRL

| | |
|------------------------------------|--|
| CAPACITY | |
| ANSI Z359.14 CLASS LE | 130–310 lb. (59–140 kg) |
| CSA Z259.2.2 CLASS LE | 130–310 lb. (59–140 kg) |
| OSHA | 400 lb. (180 kg), leading-edge capacity |
| BRAND | MSA |
| MODEL NAME | V-EDGE |
| LENGTHS | 20 ft. (6 m) 30 ft. (10 m) 50 ft. (15 m) |
| CONNECTOR OPTIONS | Steel swivel snaphook |
| HOUSING MATERIAL | Clear polycarbonate |
| HARDWARE MATERIALS | Steel, stainless steel, aluminum |
| LIFELINE MATERIALS | 3/8" (5 mm) galvanized steel cable |
| ENERGY-ABSORBING TECHNOLOGY | Tear webbing with protective case |
| KEY FEATURES | Retraction brake Leading-edge roll cage Hard-cased external energy absorber Clear inspectable housing |
| PRODUCT STYLES | Leading-edge SRL |
| PRODUCT TYPES | Construction OGP General industry |
| STANDARES | ANSI Z359.14 Class LE CSA Z259.2.2 Class LE EN360:2002 OSHA |



V-EDGE Leading-Edge SRL
30 ft. (10 m) / 50 ft. (15 m)



V-EDGE Leading-Edge SRL
20 ft. (6 m)

Note: This Bulletin contains only a general description of the products shown. While uses and performance capabilities are described, under no circumstances shall the products be used by untrained or unqualified individuals and not until the product instructions including any warnings or cautions provided have been thoroughly read and understood. Only they contain the complete and detailed information concerning proper use and care of these products.



MSA – The Safety Company
1000 Cranberry Woods Drive
Cranberry Township, PA 16066 USA
Phone 724-776-8600
www.MSAsafety.com

U.S. Customer Service Center
Phone 1-800-MSA-2222
Fax 1-800-967-0398

MSA Canada
Phone 1-800-672-2222
Fax 1-800-967-0398

MSA Mexico
Phone 01 800 672 7222